

**WDA-500**  
**WD-1500N**  
**WD-1500NT**

Capacity 0,5 / 1,5 t



## Wheel dollies

Wheel dollies for vans, trucks and buses (WDA-500)  
And for agricultural and industrial machinery (WD-1500N - WD-1500NT)

- The WDA-500 is a flexible and ergonomic wheel dolly for the easy lifting of wheels, fuel tanks, tool boxes, brake drums, etc.
- The WD-1500N - WD-1500NT are specially designed for agricultural and industrial wheels with larger diameters and width. Also for deep treaded tractor tyres.

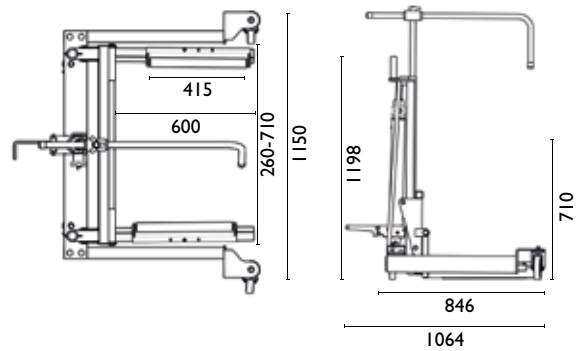
- Side adjustable lifting arms for variable wheel
- Lifting arms with roller bearings for easy rotation of the wheel into correct position.
- Robust and easy to use wheel retaining bracket in combination with the heavy duty wheels makes maneuvering of the dolly easy and safe.

## Option

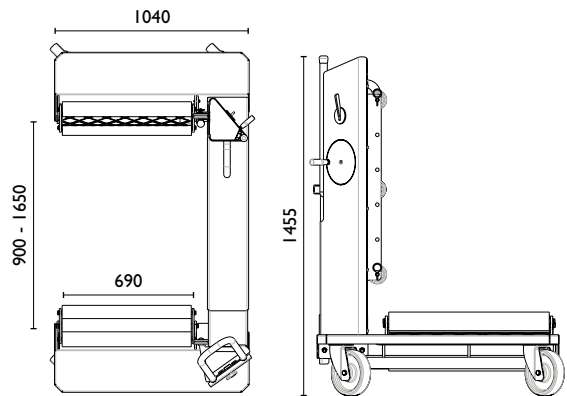


### Crane arm for disc brakes, callipers, etc.

- Mounted with the telescopic crane arm the wheel trolley is a universal lifting tool
- The crane arm offers efficiency and good ergonomics when lifting disc brakes, brake drums, callipers, etc.
- The crane arm easily swivels to one side to allow wheel removal operations to be carried out
- Fitted with 360° pivoting hook
- Only for model WDA-500



WDA-500



WD-1500N - WD-1500NT

	WDA-500	WD-1500N	WD-1500NT
Capacity	0,5 t	1,5 t	1,5 t
Height	1198 mm	1455 mm	1455 mm
Length	846 mm	1040 mm	1040 mm
Width	1150 mm	1625 - 2375 mm	1625 - 2375 mm
Roller length	415 mm	690 mm	690 mm
Fork length	600 mm		
Roller distance	260 - 710 mm	900 - 1650 mm	900 - 1650 mm
Lifting height	710 mm		
Wheel sizes	Ø 270 - 1300 mm	Ø 1000 - 2400 mm	Ø 1000 - 2400 mm
Weight	100 kg	300 kg	300 kg
Handle for wheel rotation		No	Yes

**sterdil KONI**

 a member of the Stertil Group

Stertil B.V.  
P.O. Box 23  
9288 ZG Kootsterille  
The Netherlands  
Tel. +31(0)512 334444  
info@sterdil.nl

www.sterilkoni.com

 Stertil-Koni

 Stertil