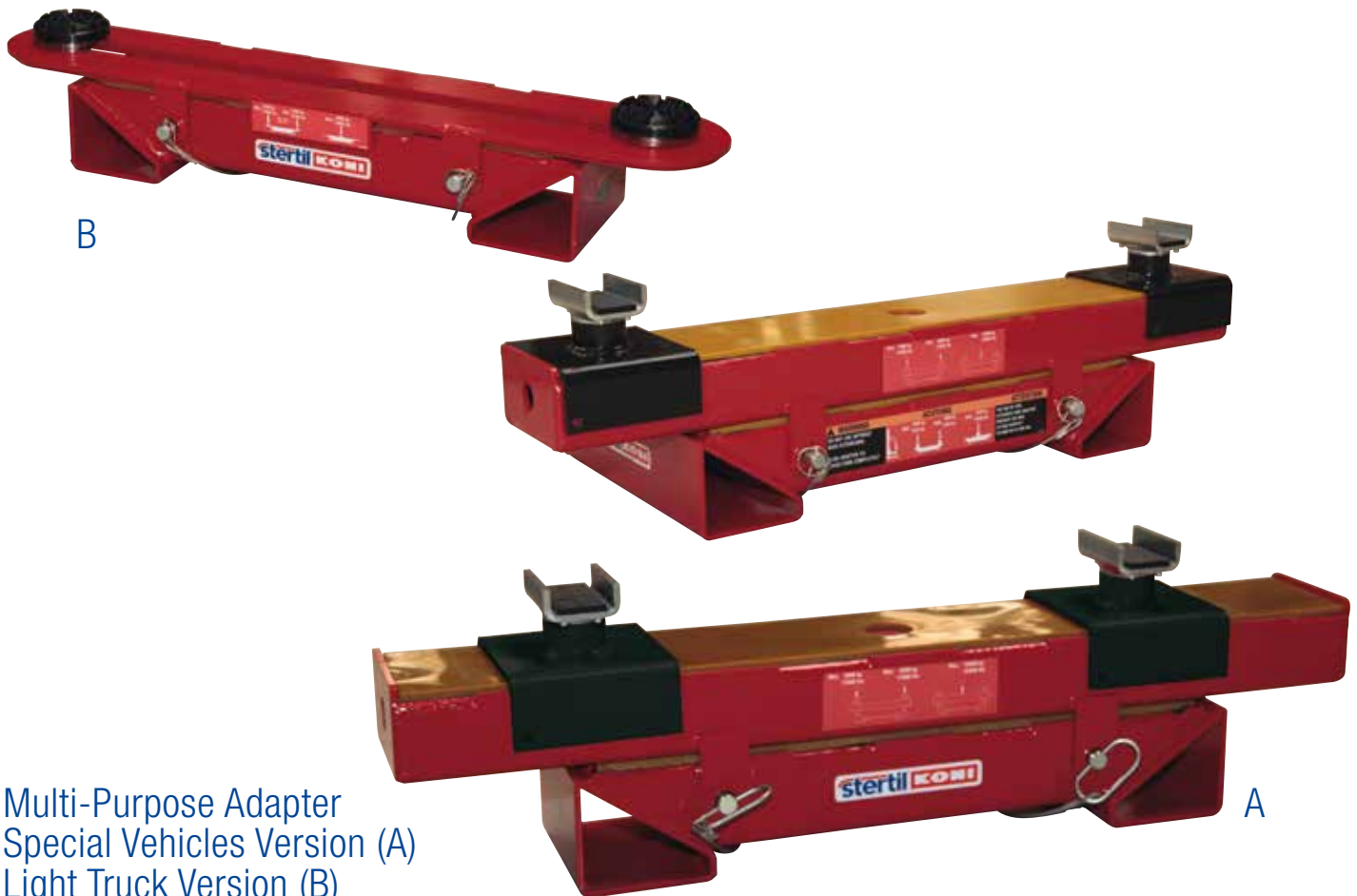


**SPECIAL VEHICLES VERSION (A)
LIGHT TRUCK VERSION (B)**

Capacity 10 t



Multi-Purpose Adapter
Special Vehicles Version (A)
Light Truck Version (B)

- Very suitable to use for lifting all kinds of Vehicles with two mobile columns on the front and on the rear.
- Modular design so easy to adapt to various applications.
- Individual components can be used to create requirement specific solutions.
- A wide range of adapters for various applications available
- Version for extended reach under the vehicle is also available¹

Special Vehicles Version (A)

- U-shaped pick up adapters that can move sideways. Commonly used for Military vehicles.
- Extra wide upper beam for optimal reach.

Light Truck Version (B)

- Extremely low pick up height with the light truck version (B)
- Flat round pick up adapters that can move sideways.

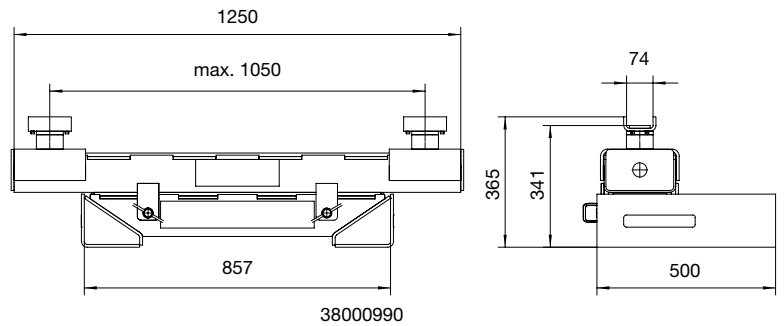
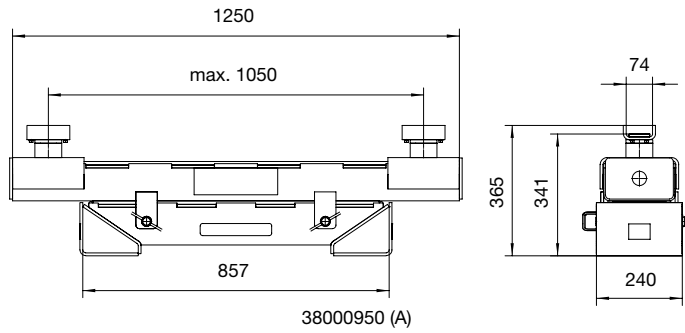
¹ requires also extended baseframe

Options

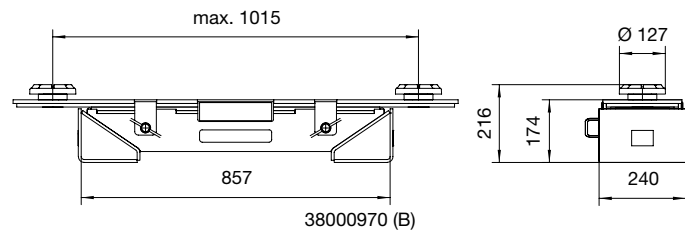


38010950

An adapter cart for easy storage and movement of 2 multi-purpose adapters is available.



A wide range of pick up adapters is available for various purposes.



Model	Special Vehicle Version	Special Vehicle Version Extended	Light Truck Version
Article number	38000950	38000990	38000970
Suitable for columns	ST1075-ST1085-ST1100	ST1075-ST1085-ST1100 with extended baseframe	ST1075-ST1085-ST1100
Capacity*	10,000 kg	6,600 kg	2,500 kg
Weight	110 kg	160 kg	80 kg

* The use of specific adapters can potentially decrease the total lifting capacity



a member of the Stertil Group

Stertil B.V.
P.O. Box 23
9288 ZG Kootstertille
The Netherlands
Tel. +31(0)512 334444
info@stertil.nl



www.sterilkoni.com

f Stertil-Koni t Stertil